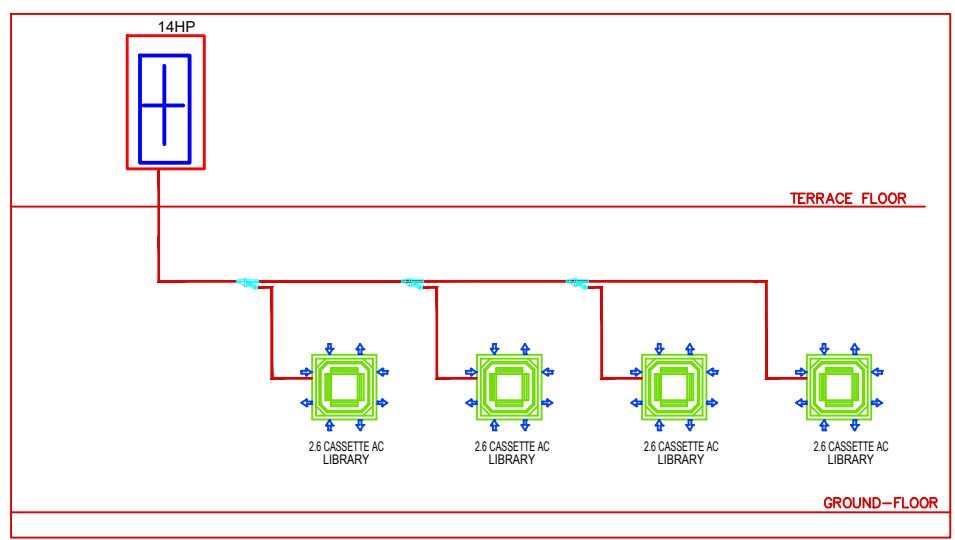


**HVAC LAYOUT
LIBRARY**
Scale 1:80



**KEY LOCATION
LIBRARY**
Scale 1:200

- NOTES:
- All dimensions are in mm unless noted otherwise.
 - The dimensions are to be read and not scaled off the drawing.
 - Any discrepancy in the drawing shall be brought to the notice of the Architects.
 - This drawing is to be read in conjunction with other relevant drawings & specifications given in the tender document.
 - Only the latest revision of the drawings shall be considered valid for all purposes.

REVISIONS:

SL.	DATE	DESCRIPTION

HVAC CONSULTANT
Abid Husain Consultants
W-31, First Floor Okhla Industrial Area Phase-2 New Delhi

PROJECT
Infrastructure Development at IIIT Sri City
Chittoor

CLIENT
Indian Institute of Information Technology
Sri City, Chittoor
Andhra Pradesh

ARCHITECT
ADPL
Aadharshila Designs Pvt. Ltd.
B - 4/124, L. G. F., Safdarjung Enclave, New Delhi - 110029.
Tel : +91 11 26100433 - 6, Fax : +91 11 26177678,
E-mail : adpl@adpl.in

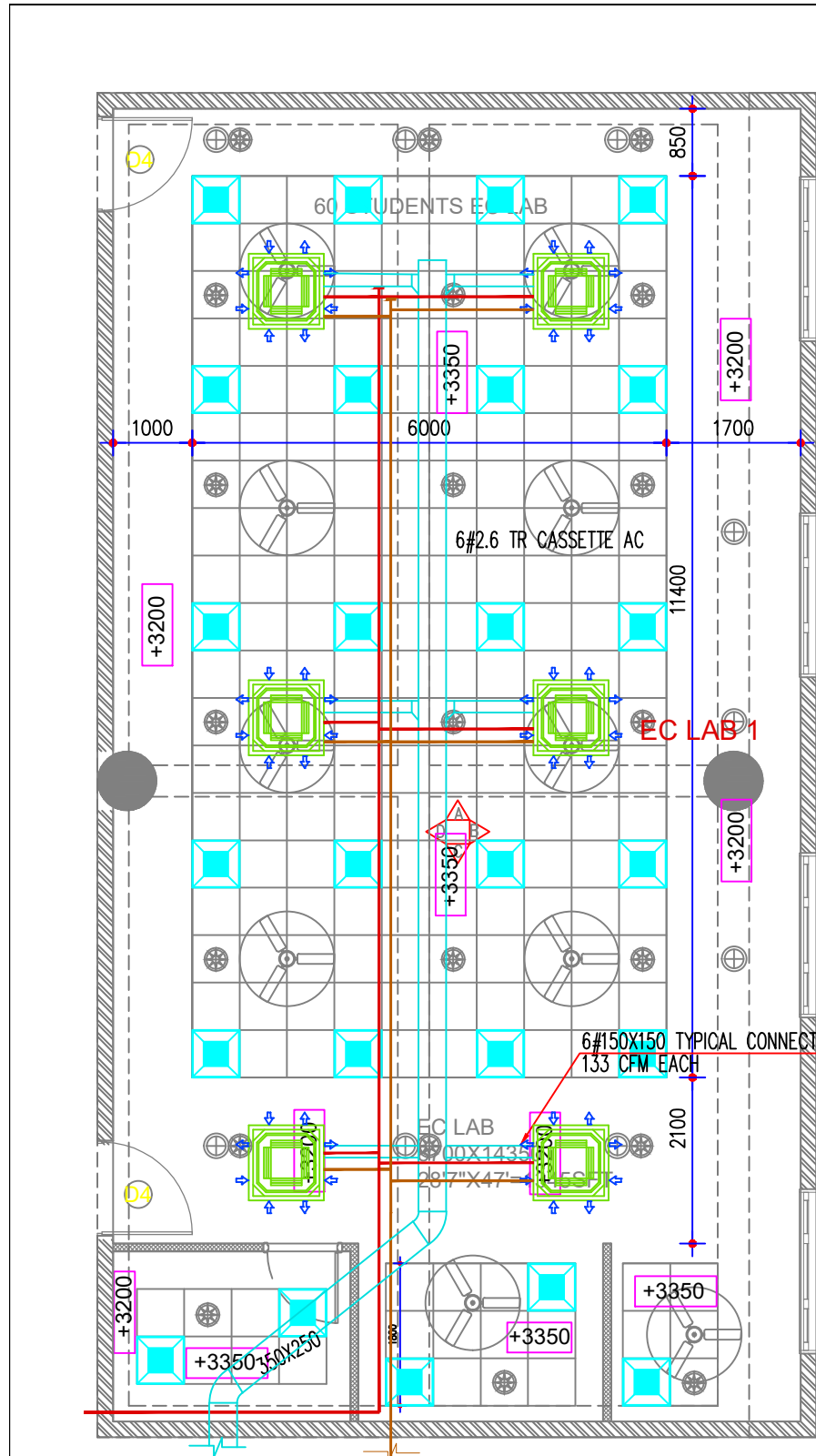
COPYRIGHT
This drawing is the property of Aadharshila Designs Pvt. Ltd. It shall not be copied, used in any manner and handed over to any person or party without the prior permission of Aadharshila Designs Pvt. Ltd.

DRAWING TITLE
**HVAC Layout
Library at Ground Floor**
Existing Academic Block NW

DATE 03.12.2025	SCALE As Displayed @ A3	REV.
--------------------	----------------------------	------

DRAWING NO. IIITS/ABNW/TD/ HVAC-101	R0
--	-----------

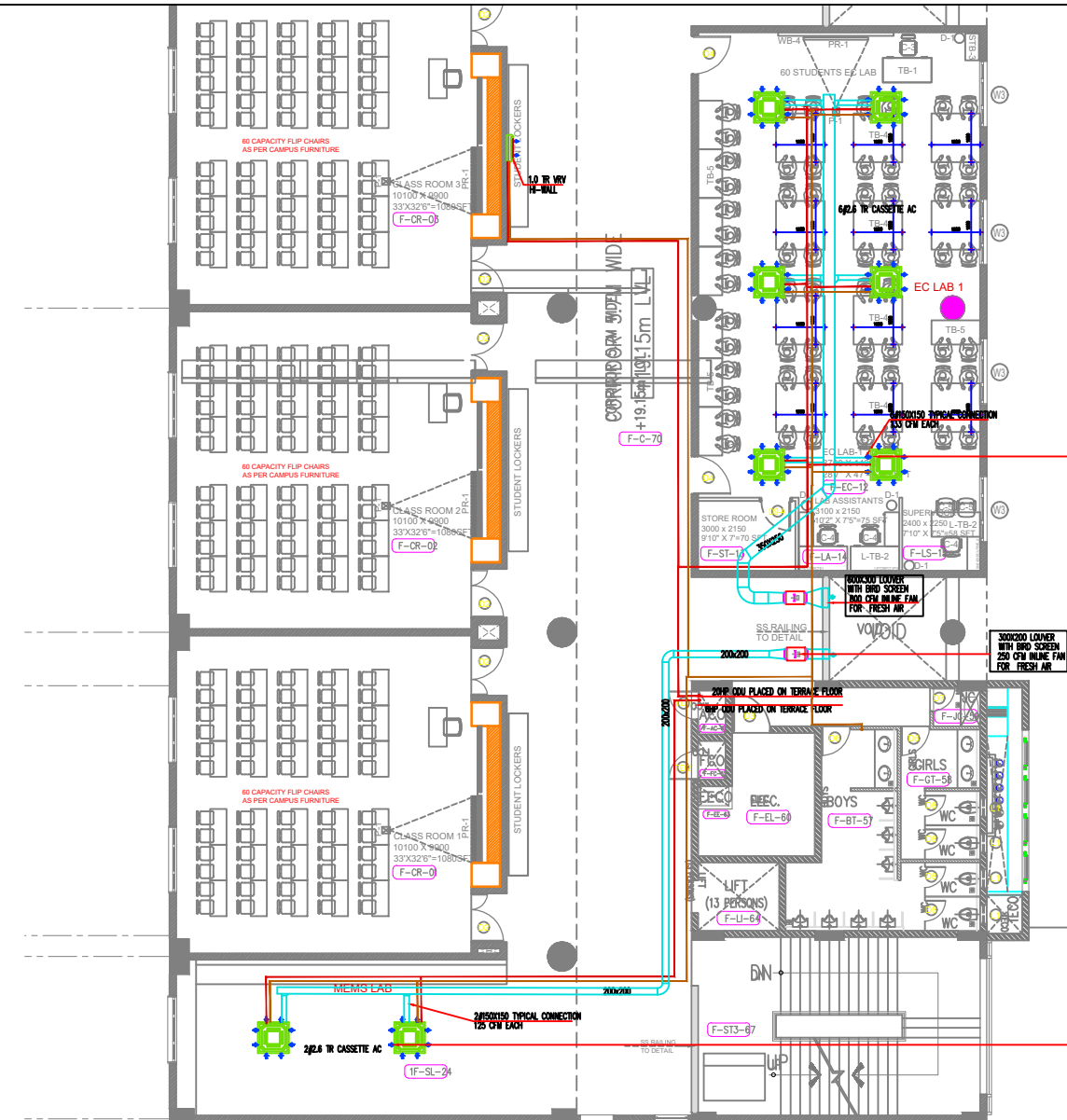
Detailed HVAC Drawings (For Tender)



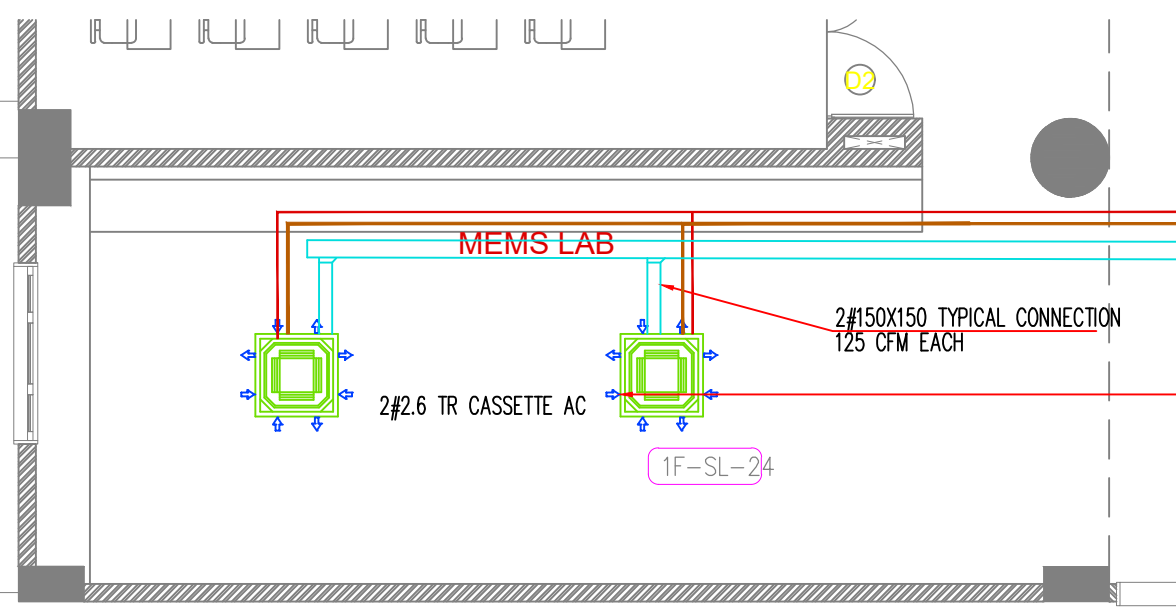
**HVAC LAYOUT
EC LAB 1**
Scale 1:80

**HVAC LAYOUT
MEMS LAB**
Scale 1:80

- W3 12MM THICK GYPSUM CEILING @3200 HIGH FROM FFL
- W3 600 X 600 MM GRID CEILING @3350 HIGH FROM FFL
- W3 12W LED RECESS MOUNTED LIGHT
- W3 27W SPARKLE ULTRA LED 600X600 MM RECESS MOUNTED LIGHT
- W3 1200mm CEILING FAN
- W3 12MM THICK GYPSUM CEILING @3200 HIGH FROM FFL
- W3 27W SPARKLE ULTRA LED 600X600 MM RECESS MOUNTED LIGHT



**KEY LOCATION
EC LAB 1 & MEMS LAB**
Scale 1:200



Detailed HVAC Drawings (For Tender)

- NOTES:
1. All dimensions are in mm unless noted otherwise.
 2. The dimensions are to be read and not scaled off the drawing.
 3. Any discrepancy in the drawing shall be brought to the notice of the Architects.
 4. This drawing is to be read in conjunction with other relevant drawings & specifications given in the tender document.
 5. Only the latest revision of the drawings shall be considered valid for all purposes.

REVISIONS:

SL	DATE	DESCRIPTION

HVAC CONSULTANT
Abid Husain Consultants
W-31, First Floor Okhla Industrial Area Phase-2 New Delhi

PROJECT
Infrastructure Development at IIIT Sri City
Chittoor

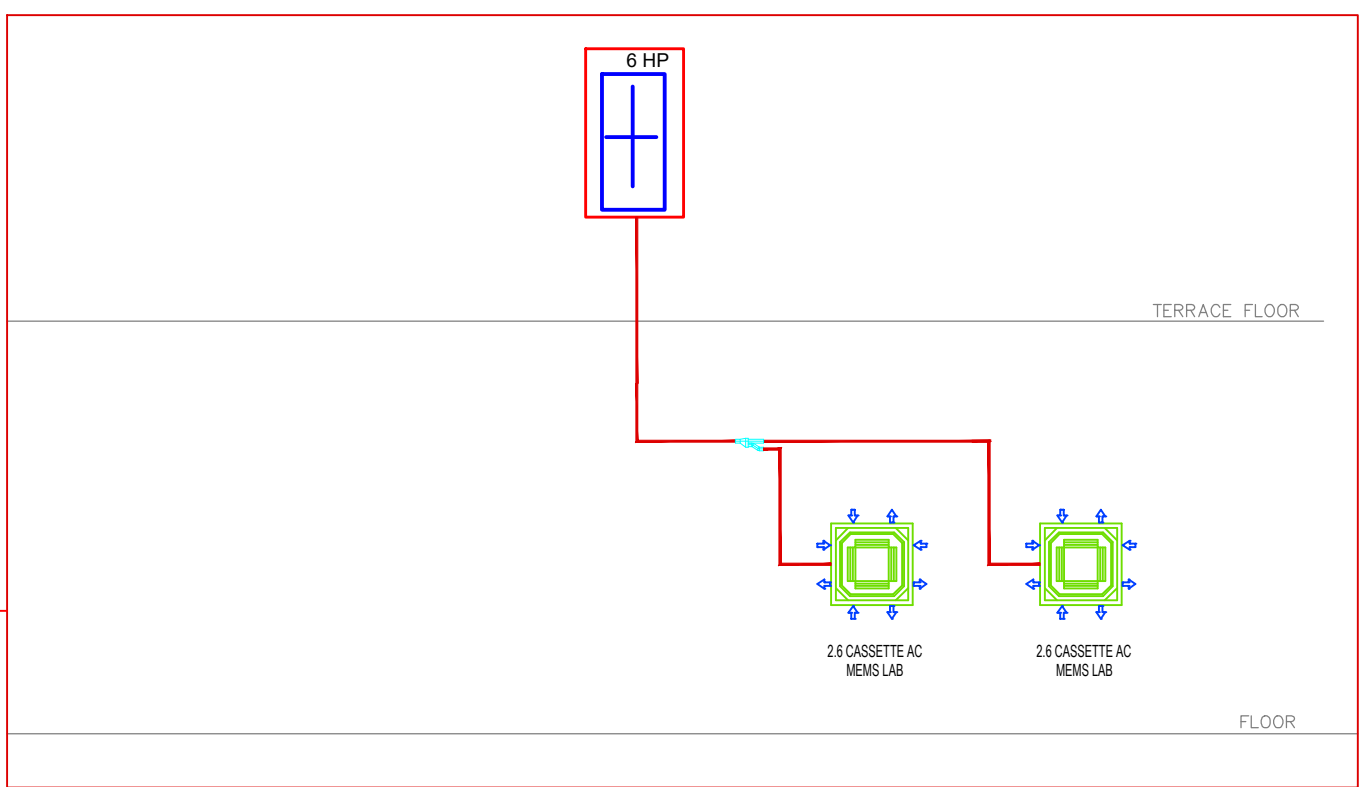
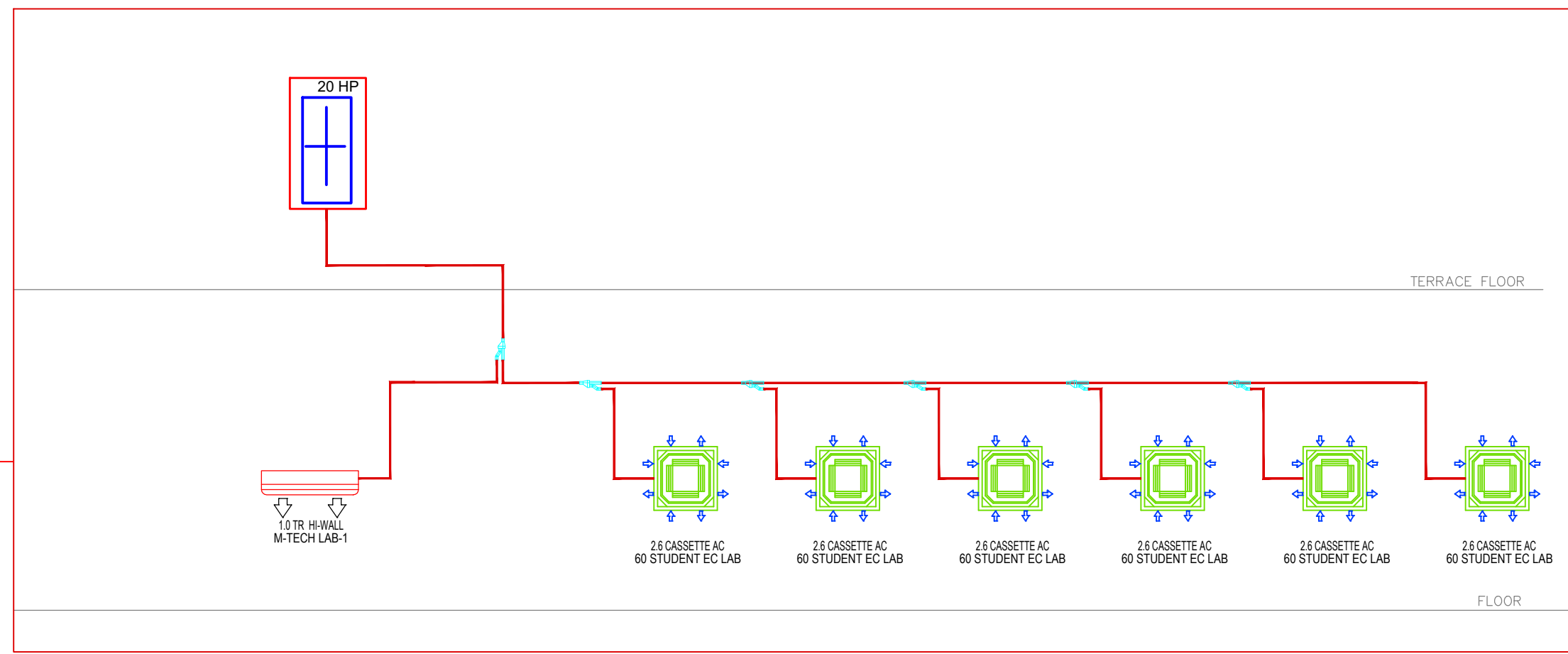
CLIENT
Indian Institute of Information Technology
Sri City, Chittoor
Andhra Pradesh

ARCHITECT
ADPL
Aadharshila Designs Pvt. Ltd.
B - 4/124, L. G. F., Safdarjung Enclave, New Delhi - 110029.
Tel : +91 11 26100433 - 6, Fax : +91 11 26177678,
E-mail : adpl@adpl.in

COPYRIGHT
This drawing is the property of Aadharshila Designs Pvt. Ltd. It shall not be copied, used in any manner and handed over to any person or party without the prior permission of Aadharshila Designs Pvt. Ltd.

DRAWING TITLE
**HVAC Layout
EC Lab 1 & MEMS Lab at First Floor**
Existing Academic Block NW

DATE	SCALE	REV.
03.12.2025	As Displayed @ A3	R0
DRAWING NO. IIITS/ABNW/TD/ HVAC-102		



- NOTES:
1. All dimensions are in mm unless noted otherwise.
 2. The dimensions are to be read and not scaled off the drawing.
 3. Any discrepancy in the drawing shall be brought to the notice of the Architects.
 4. This drawing is to be read in conjunction with other relevant drawings & specifications given in the tender document.
 5. Only the latest revision of the drawings shall be considered valid for all purposes.

REVISIONS:

SL.	DATE	DESCRIPTION
-	-	-
-	-	-
-	-	-
-	-	-
-	-	-
-	-	-
-	-	-
-	-	-
-	-	-

HVAC CONSULTANT
Abid Husain Consultants
 W-31, First Floor Okhla Industrial Area Phase-2 New Delhi

PROJECT
Infrastructure Development at IIIT Sri City Chittoor

CLIENT
Indian Institute of Information Technology Sri City, Chittoor
 Andhra Pradesh

ARCHITECT

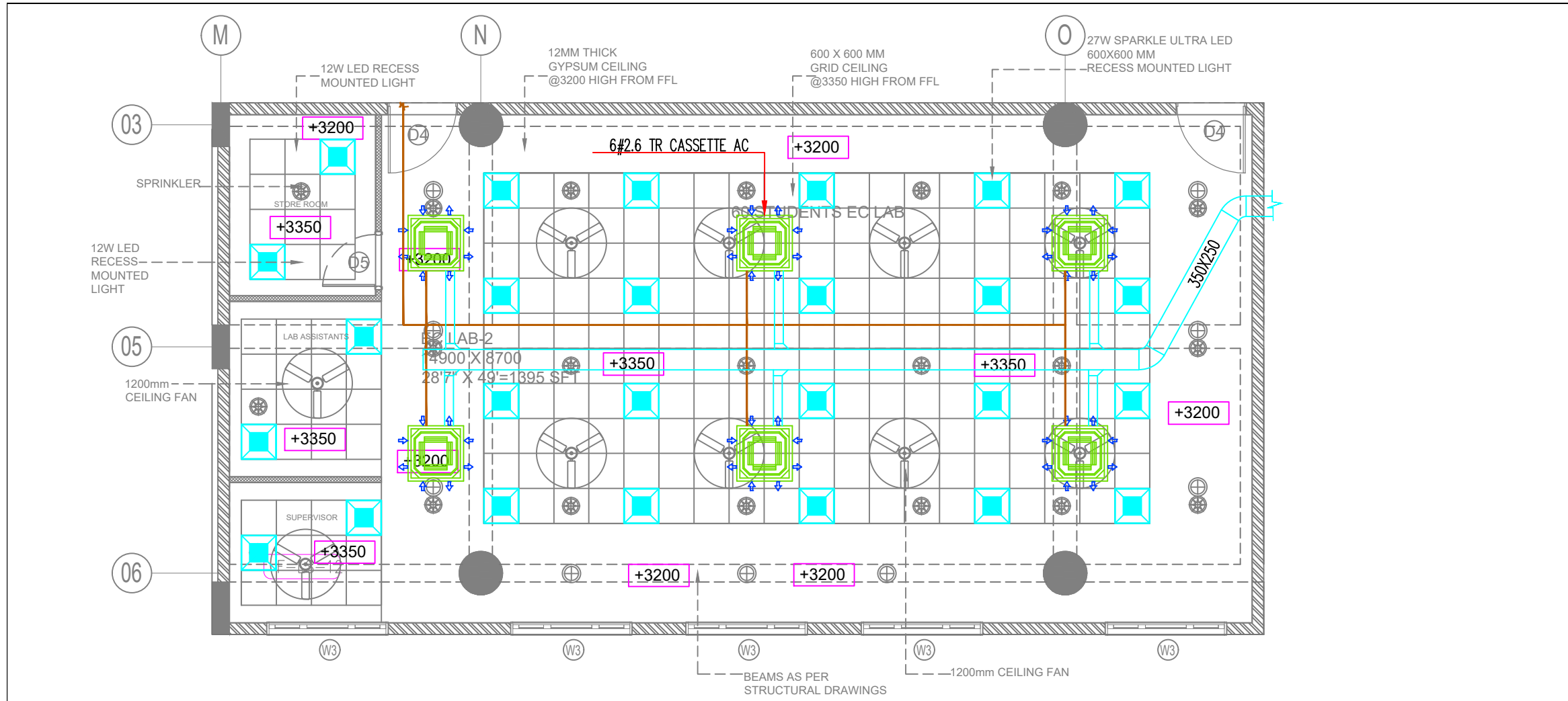
Aadharshila Designs Pvt. Ltd.
 B - 4/124, L. G. F., Safdarjung Enclave, New Delhi - 110029.
 Tel : +91 11 26100433 - 6, Fax : +91 11 26177678,
 E-mail : adpl@adpl.in

COPYRIGHT
 This drawing is the property of Aadharshila Designs Pvt. Ltd. It shall not be copied, used in any manner and handed over to any person or party without the prior permission of Aadharshila Designs Pvt. Ltd.

DRAWING TITLE
Schematic Layout EC Lab 1 & MEMS Lab at First Floor
 Existing Academic Block NW

DATE 03.12.2025	SCALE As Displayed @ A3	REV. R0
DRAWING NO. IIITS/ABNW/TD/HVAC-102A		

Detailed HVAC Drawings (For Tender)



- NOTES:
- All dimensions are in mm unless noted otherwise.
 - The dimensions are to be read and not scaled off the drawing.
 - Any discrepancy in the drawing shall be brought to the notice of the Architects.
 - This drawing is to be read in conjunction with other relevant drawings & specifications given in the tender document.
 - Only the latest revision of the drawings shall be considered valid for all purposes.

REVISIONS:

SL.	DATE	DESCRIPTION

HVAC CONSULTANT
 Abid Husain Consultants
 W-31, First Floor Okhla Industrial Area Phase-2 New Delhi

PROJECT
 Infrastructure Development at IIIT Sri City
 Chittoor

CLIENT
 Indian Institute of Information Technology
 Sri City, Chittoor
 Andhra Pradesh

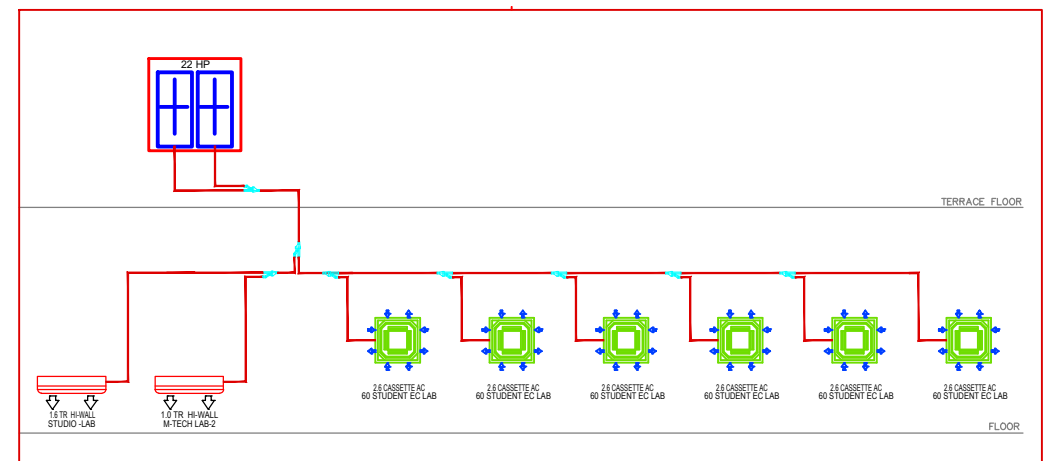
ARCHITECT
ADPL
 Aadarshila Designs Pvt. Ltd.
 B - 4/124, L. G. F., Safdarjung Enclave, New Delhi - 110029.
 Tel : +91 11 26100433 - 6, Fax : +91 11 26177678,
 E-mail : adpl@adpl.in

COPYRIGHT
 This drawing is the property of Aadarshila Designs Pvt. Ltd. It shall not be copied, used in any manner and handed over to any person or party without the prior permission of Aadarshila Designs Pvt. Ltd.

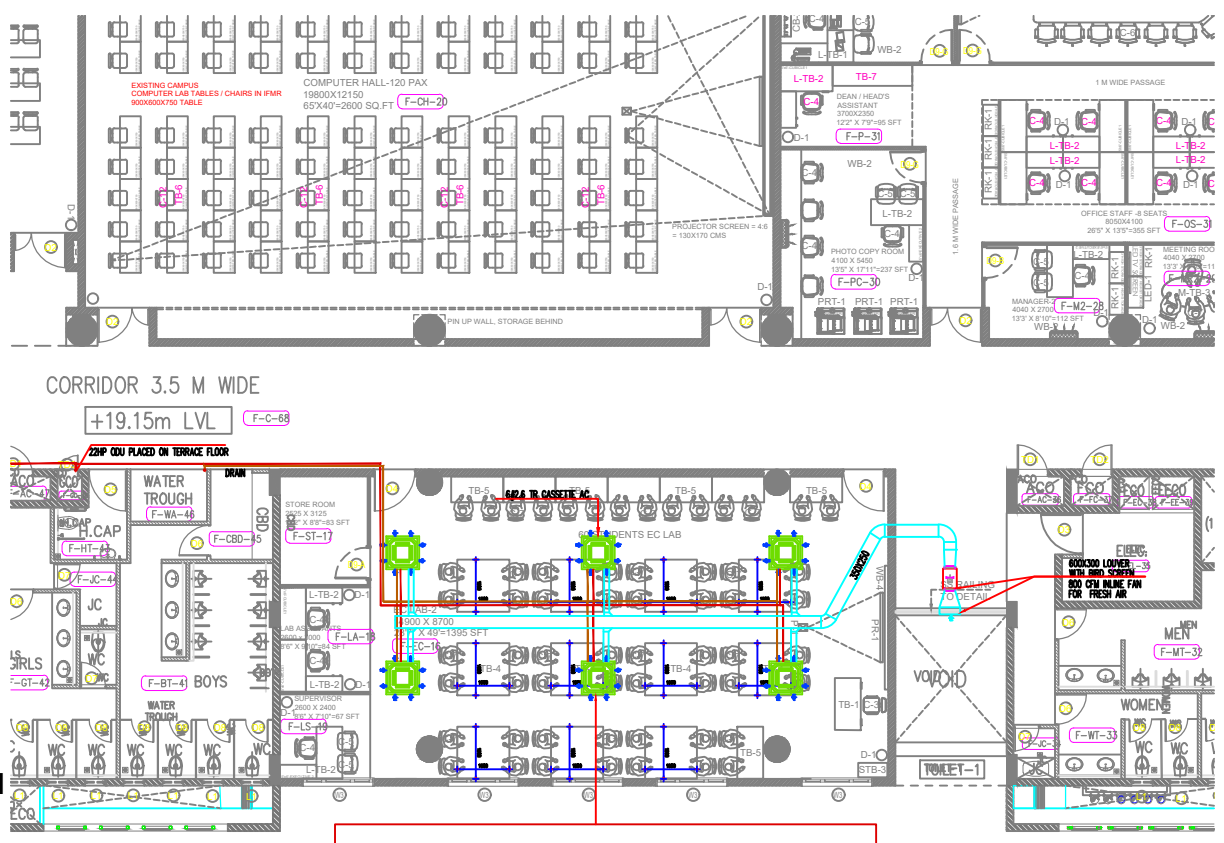
DRAWING TITLE
HVAC Layout
EC Lab 2 at First Floor
 Existing Academic Block NW

DATE	SCALE	REV.
03.12.2025	As Displayed @ A3	R0
DRAWING NO. IIITS/ABNW/TD/ HVAC-103		

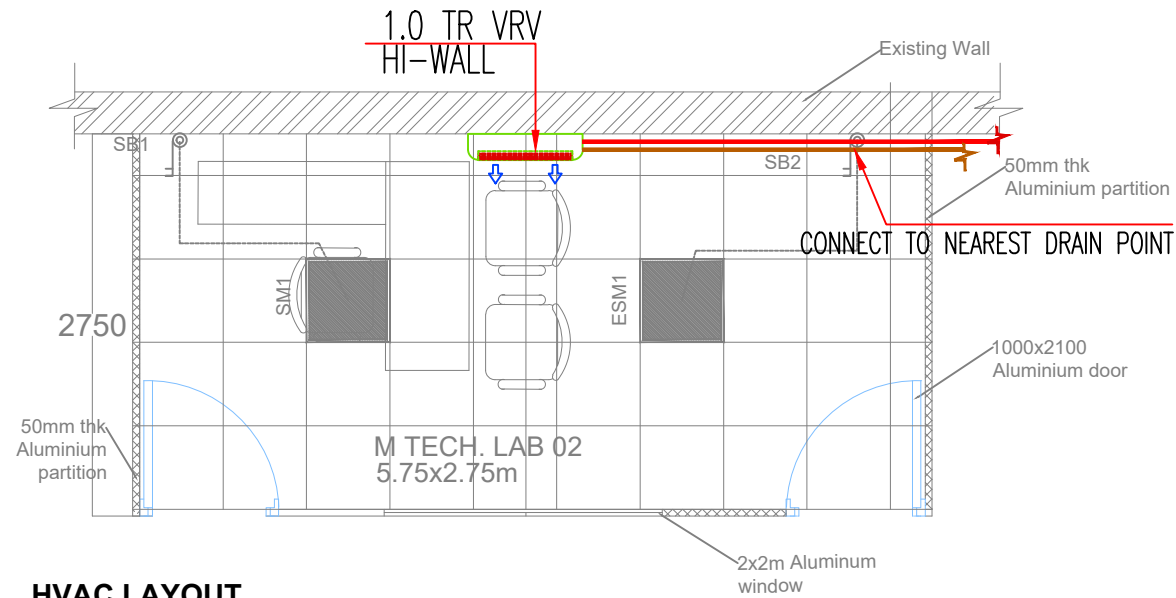
HVAC LAYOUT
EC LAB 2
 Scale 1:80



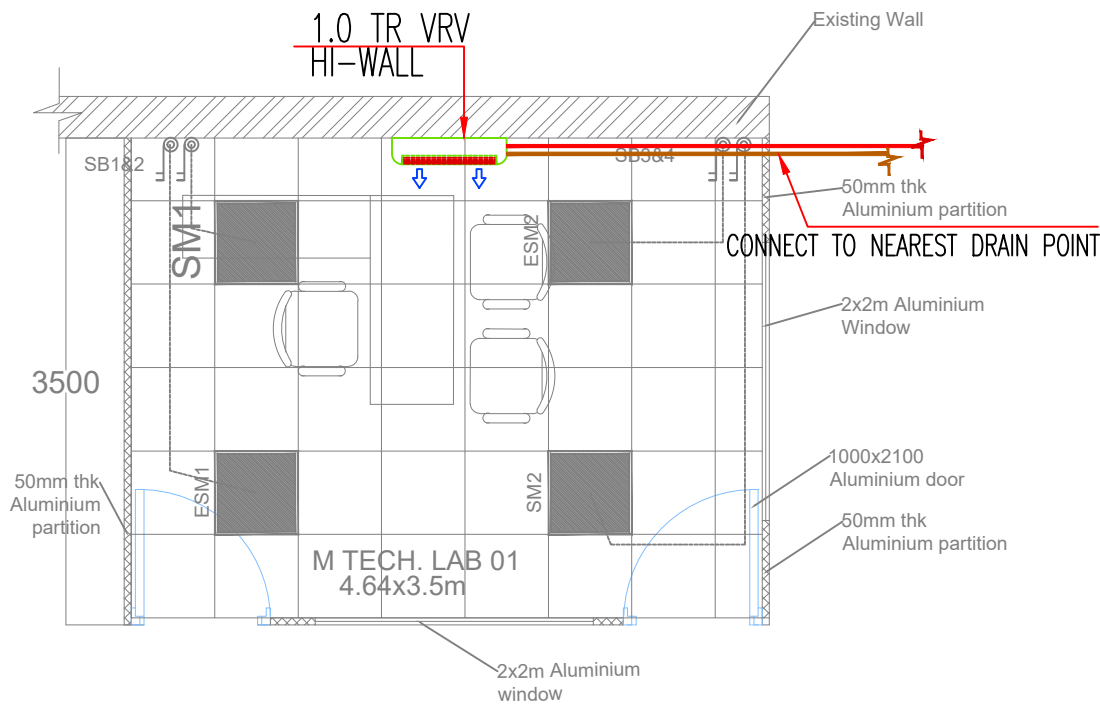
KEY LOCATION
EC LAB 2
 Scale 1:200



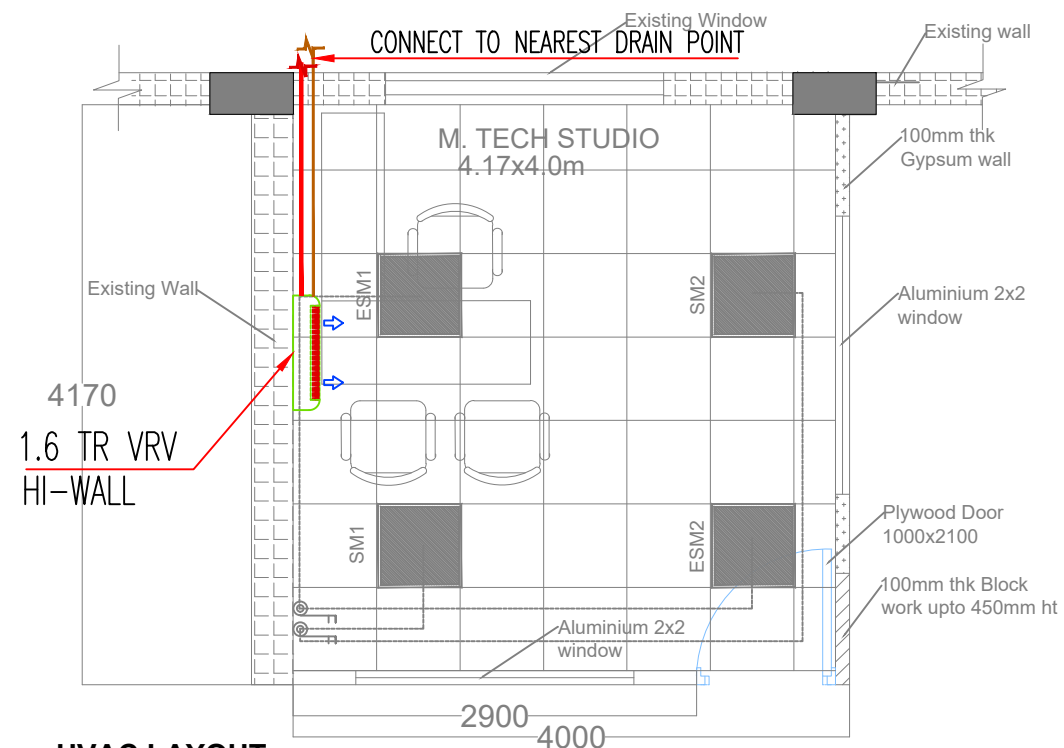
Detailed HVAC Drawings (For Tender)



**HVAC LAYOUT
M. TECH LAB 02**
Scale 1:50



**HVAC LAYOUT
M. TECH LAB 01**
Scale 1:50



**HVAC LAYOUT
M. TECH STUDIO ROOM**
Scale 1:50

- NOTES:
1. All dimensions are in mm unless noted otherwise.
 2. The dimensions are to be read and not scaled off the drawing.
 3. Any discrepancy in the drawing shall be brought to the notice of the Architects.
 4. This drawing is to be read in conjunction with other relevant drawings & specifications given in the tender document.
 5. Only the latest revision of the drawings shall be considered valid for all purposes.

REVISIONS:

SL.	DATE	DESCRIPTION
-	-	-
-	-	-
-	-	-
-	-	-
-	-	-
-	-	-

HVAC CONSULTANT
Abid Husain Consultants
W-31,First Floor Okhla Industrial Area Phase-2 New Delhi

PROJECT
Infrastructure Development at IIIT Sri City
Chittoor

CLIENT
Indian Institute of Information Technology
Sri City, Chittoor
Andhra Pradesh

ARCHITECT
ADPL
Aadharshila Designs Pvt. Ltd.
B - 4/124, L. G. F., Safdarjung Enclave, New Delhi - 110029.
Tel : +91 11 26100433 - 6, Fax : +91 11 26177678,
E-mail : adpl@adpli.in

COPYRIGHT
This drawing is the property of Aadharshila Designs Pvt. Ltd. It shall not be copied, used in any manner and handed over to any person or party without the prior permission of Aadharshila Designs Pvt. Ltd.

DRAWING TITLE
**HVAC Layout
MTech Labs & Studio at First Floor**
Existing Academic Block NW

DATE	SCALE	REV.
03.12.2025	As Displayed @ A3	R0
DRAWING NO. IIITS/ABNW/TD/ HVAC-104		

Detailed HVAC Drawings (For Tender)